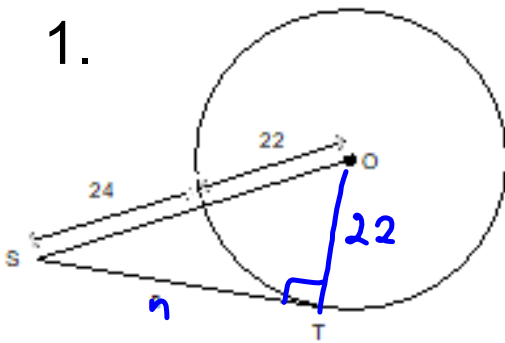


Warm up

May 8

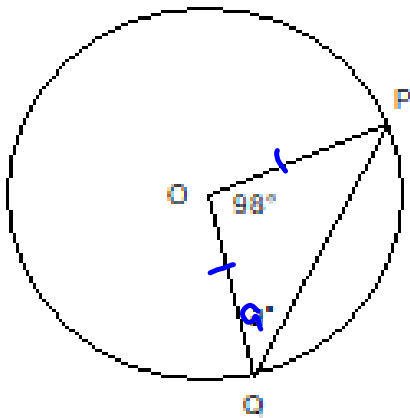
Find the missing values.

1.



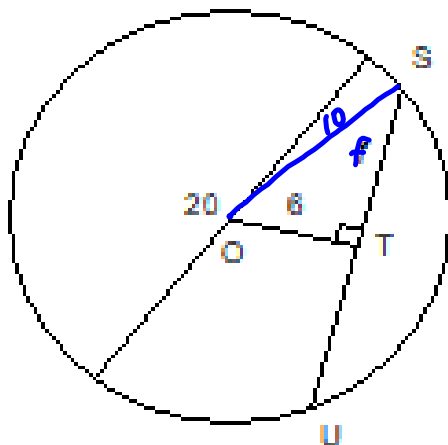
$$\begin{aligned}
 a^2 &= c^2 - b^2 \\
 n^2 &= 46^2 - 22^2 \\
 &= 2116 - 484 \\
 &= 1632 \\
 n &= \sqrt{1632} \\
 &= 40.4
 \end{aligned}$$

2



$$\begin{aligned}
 a &= \frac{180 - 98}{2} && \text{SATT} \\
 &= 41^\circ && \text{ITT}
 \end{aligned}$$

3.



$$\begin{aligned}
 a^2 &= c^2 - b^2 \\
 f^2 &= 10^2 - 6^2 \\
 &= 100 - 36 \\
 &= 64 \\
 f &= \sqrt{64} \\
 &= 8
 \end{aligned}$$

CONCEPT REINFORCEMENT:

MMS9:

PAGE 397: #3 TO #6

PAGE 398: #7, #9 to #12

PAGE 399: #13, 14, 15, 17, 18 & 19

PAGE 403: #4 TO #7

PAGE 419: #5 TO #8