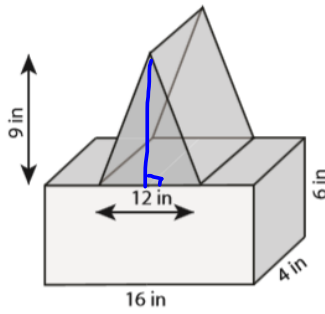


### Warm Up

Find the surface area



$$\begin{aligned}
 A_{\text{triangle}} &= \frac{bh}{2} \times 2 \\
 &= \frac{12(9)}{2} \times 2 \\
 &= 108 \text{ in}^2
 \end{aligned}$$



$$\begin{aligned}
 x^2 &= 9^2 + 6^2 \\
 &= 81 + 36 \\
 &= 117 \\
 x &= \sqrt{117} \\
 &= 10.8
 \end{aligned}$$

$$\begin{aligned}
 A_{\text{sides}} &= lxw \times 2 \\
 &= 10.8 \times 4 \times 2 \\
 &= 86.4 \text{ in}^2
 \end{aligned}$$

### Box

$$\begin{aligned}
 A_{\text{front/back}} &= 16(6) \times 2 \\
 &= 192 \text{ in}^2
 \end{aligned}$$

$$\begin{aligned}
 A_{\text{sides}} &= 4 \times 6 \times 2 \\
 &= 48 \text{ in}^2
 \end{aligned}$$

$$\begin{aligned}
 A_{\text{top/bottom}} &= 16 \times 4 \times 2 \\
 &= 128 \text{ in}^2
 \end{aligned}$$

$$\begin{aligned}
 \text{overlap} &= 12 \times 4 \\
 &= 48 \text{ in}^2
 \end{aligned}$$

$$\begin{aligned}
 A_{\text{total}} &= 108 + 86.4 + 192 + 48 + 128 \\
 &\quad - 48 \\
 &= 514.4 \text{ in}^2
 \end{aligned}$$

Nov 7-9:46 AM

## Problems with the homework?

Page 40 4, 5

Nov 7-8:15 AM

## **CONCEPT REINFORCEMENT:**

### ***MMS9***

**PAGE 40: #3, 4 and 5**

**PAGE 41: #6 (count bottom), 8 (no bottom but have to paint overhang) and 9 (no bottoms)**

**PAGE 42: #10, 11 (no bottom) and 13**

**PAGE 43: #14 (no bottom) and 15 (the cylinder is solid, not hollow)**

**Homework: Page 41 6, 8 & 9**

Nov 7-8:15 AM