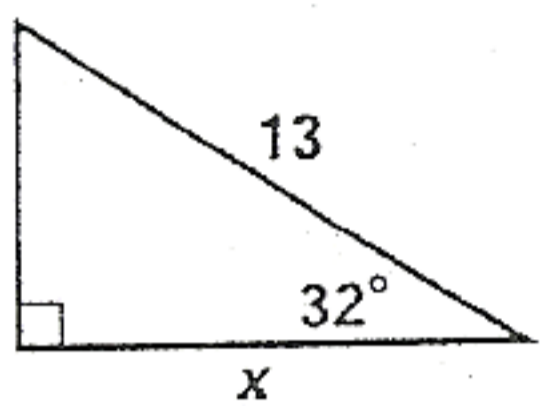


Lesson 4 Worksheet 1

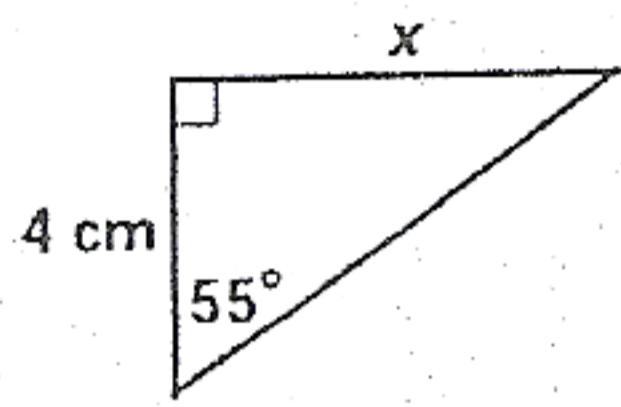
Using trig ratios to solve for a side in a right triangle

Solve for x in each triangle below. Use what you learned in lesson 3 to first identify the ratio, then write the equation, and then solve the equation. Make sure your calculator is in degree mode. Round your answers to 2 decimal places.

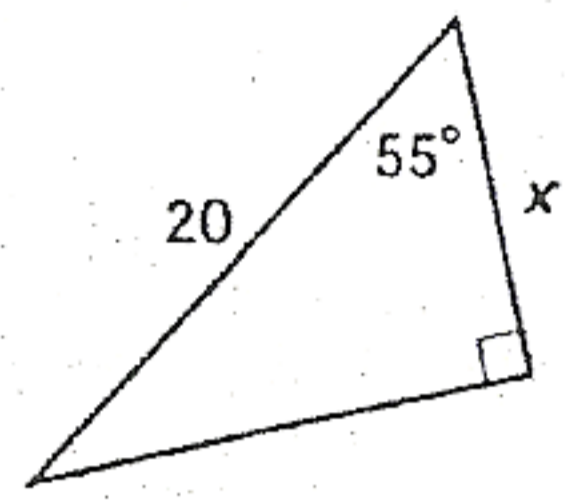
1.



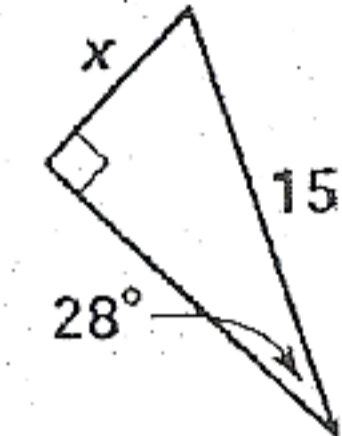
2.



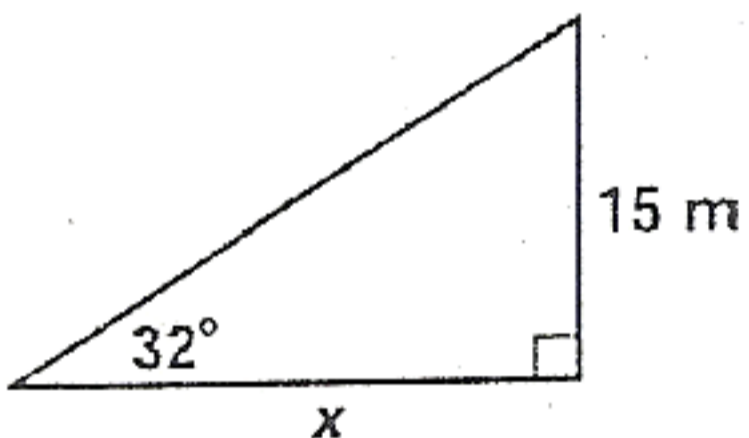
3.



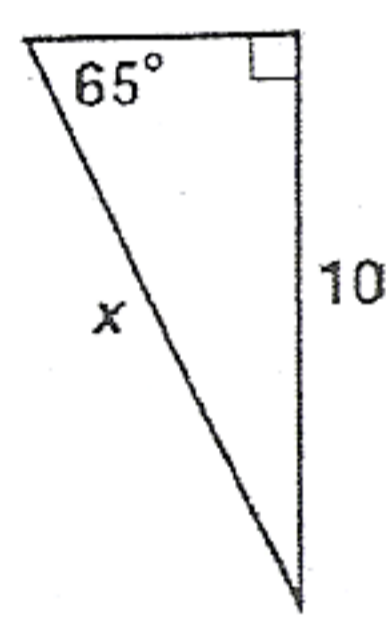
4.



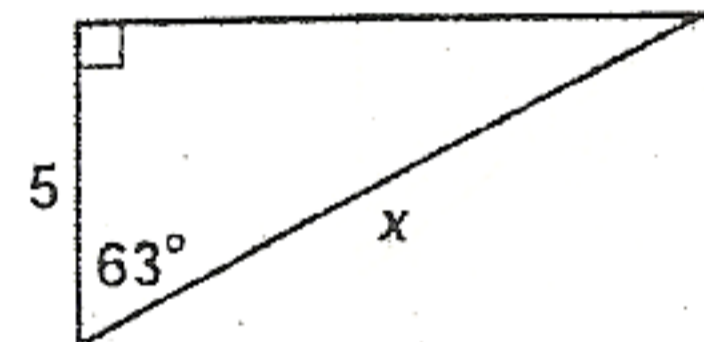
5.



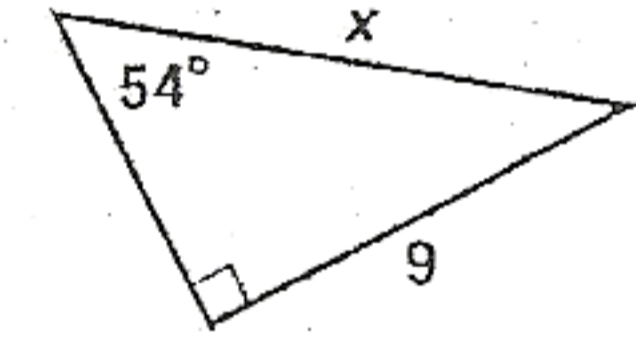
6.



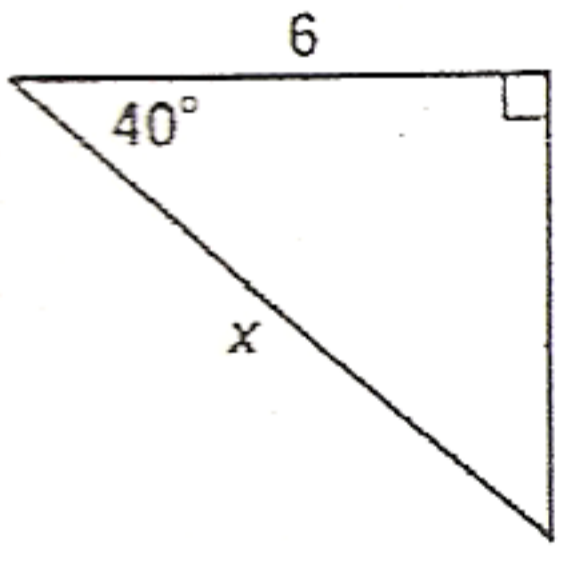
7.



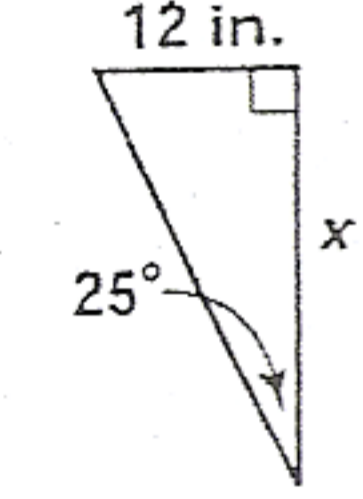
8.



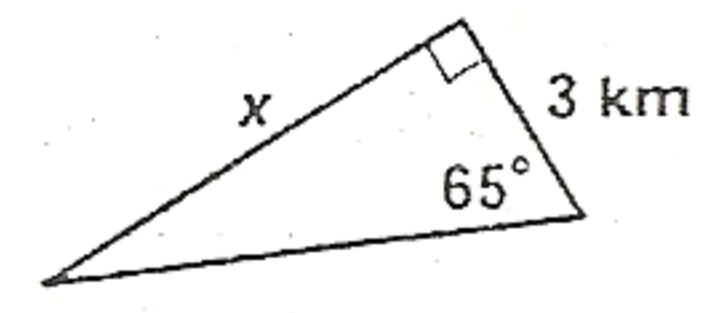
9.



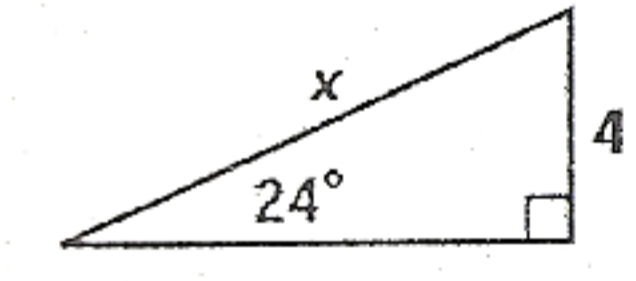
10.



11.



12.



Lesson 4 Worksheet 1

1. 11.02 2. 5.71 3. 11.47 4. 7.04 5. 24.01 6. 11.03 7. 11.01 8. 11.12 9. 7.83 10. 25.73 11. 6.43 12. 9.83